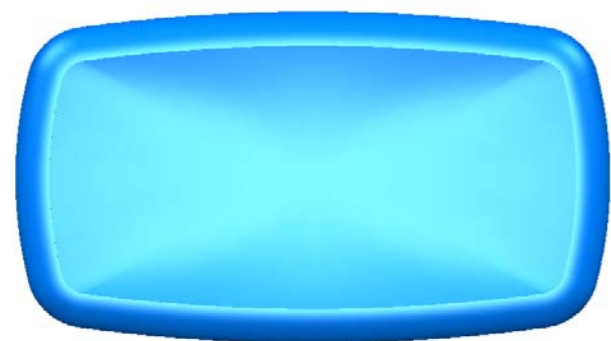
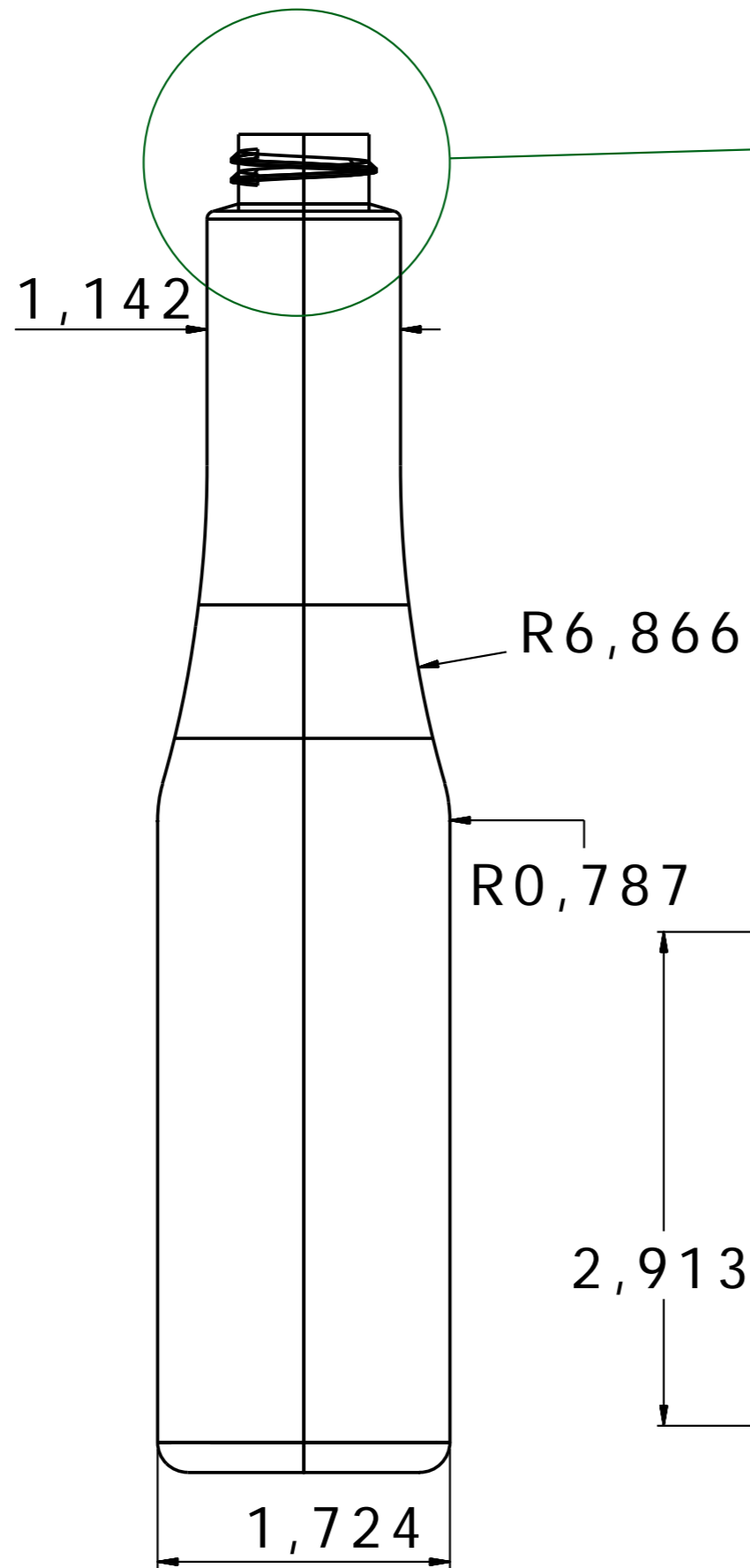
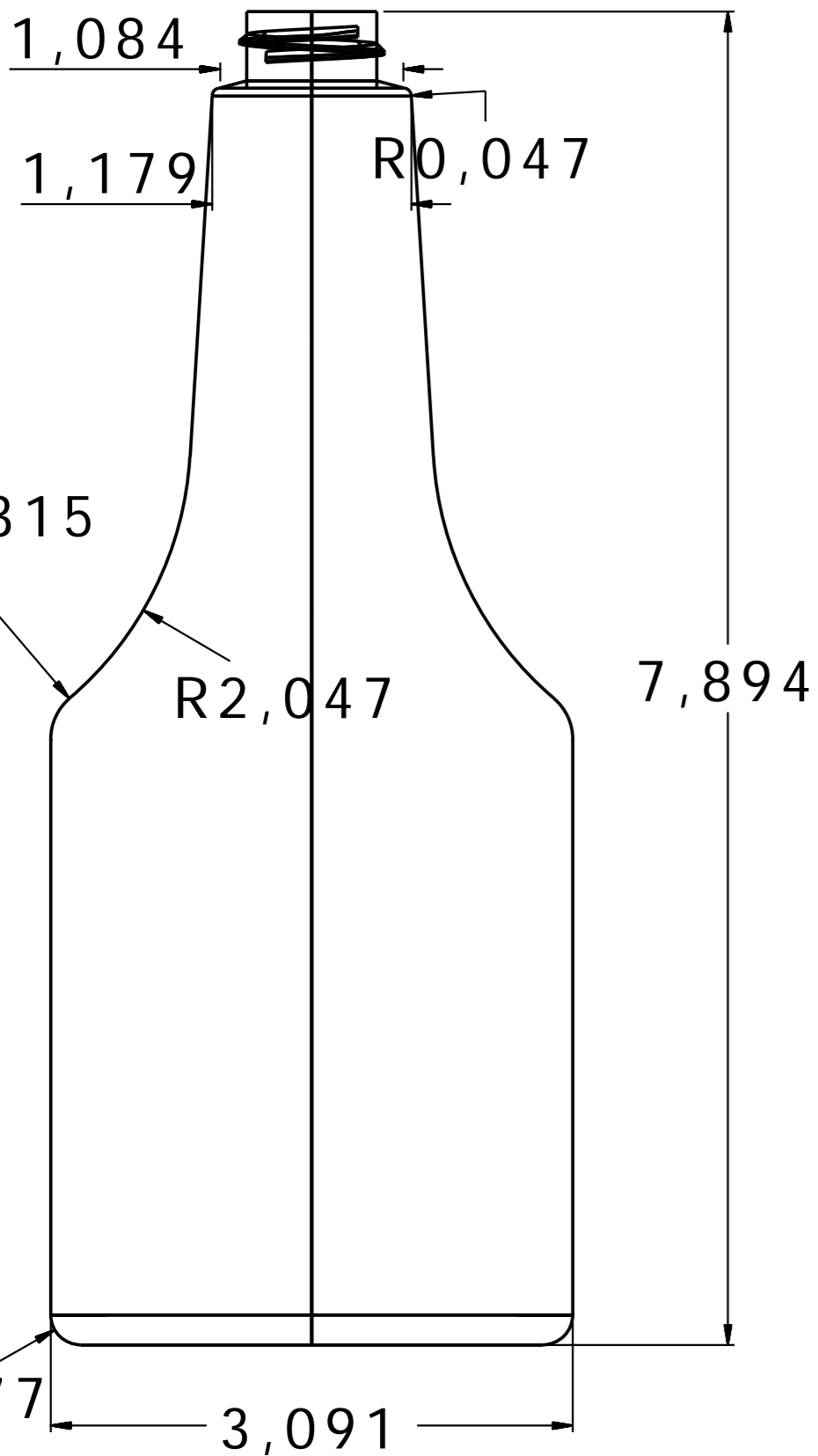


ESCALA 5



Sp 22/400 Finish	
MAX	MIN
T 0,862	0,846
E 0,778	0,762
H 0,386	0,356
S 0,052	0,022
I	0,483

PROPRIETARY AND CONFIDENTIAL
 THE INFORMATION CONTAINED IN THIS DRAWING IS THE SOLE PROPERTY OF MULTIINDUSTRIAS, INC. ANY REPRODUCTION IN PART OR AS A WHOLE WITHOUT THE WRITTEN PERMISSION OF MULTIINDUSTRIAS, INC. IS PROHIBITED.

Drawn By: RAAL
 Checked: MG
 Customer: Multi Conf.
 Reference Materials:
 Customer Sample

Date: 9/23/11
 Date: 9/23/11
 Job#: ~

Container Data:
 Weight 40 +/- (G)
 Estimated Overflow (fl.oz.): 13.0 +/-
 Estimated Overflow (cc): 384.5 +/-
 Material PVC
 AVG WALL THICKNESS

Description:
 12oz PVC BOTTLE
 SCALE 1:1

