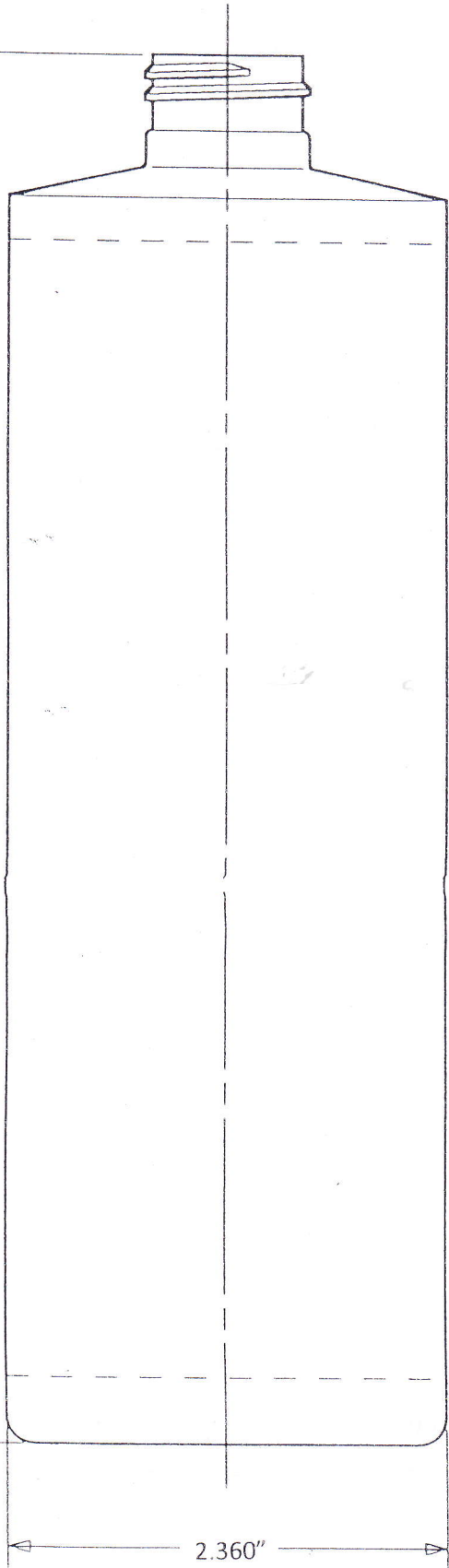
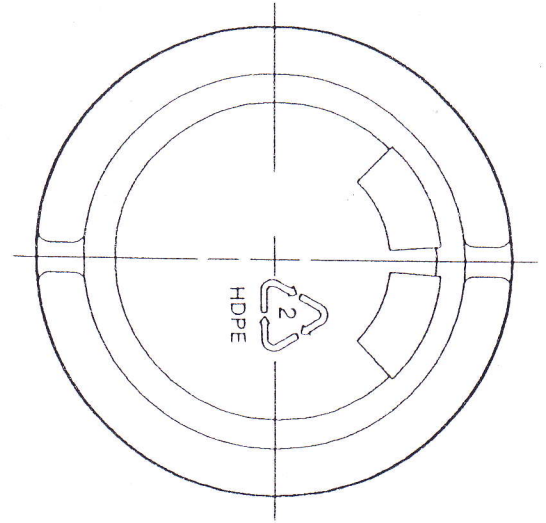


7.740"



6.230"  
Deco  
Area



BOTTOM VIEW

*MULTI CONTAINERS USA, INC.*  
MANUFACTURERS AND DISTRIBUTORS OF PLASTIC PACKAGING

Material	Weight	Min. Wall	Overflow Capacity
HDPE	31.5 +/- 1.5gr.	.012"	523 +/- 11 cc
LDPE	Call Sales		

All Tolerances per SPI

**16 oz. CYLINDER ROUND**  
**24/410**