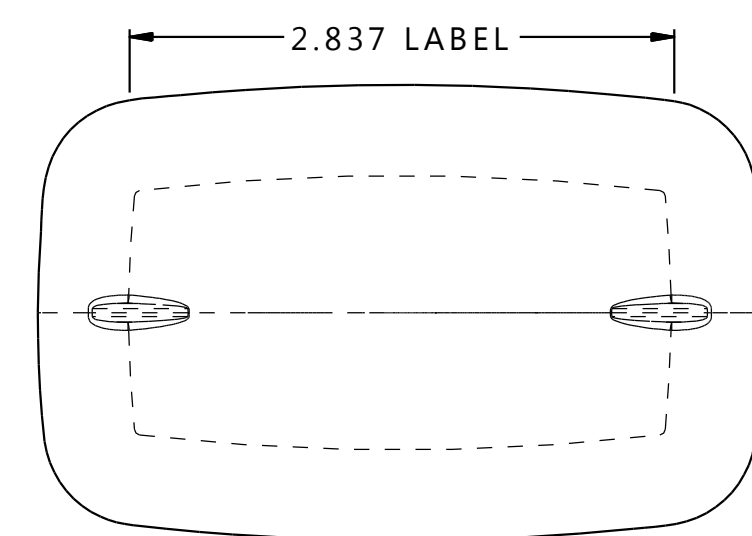
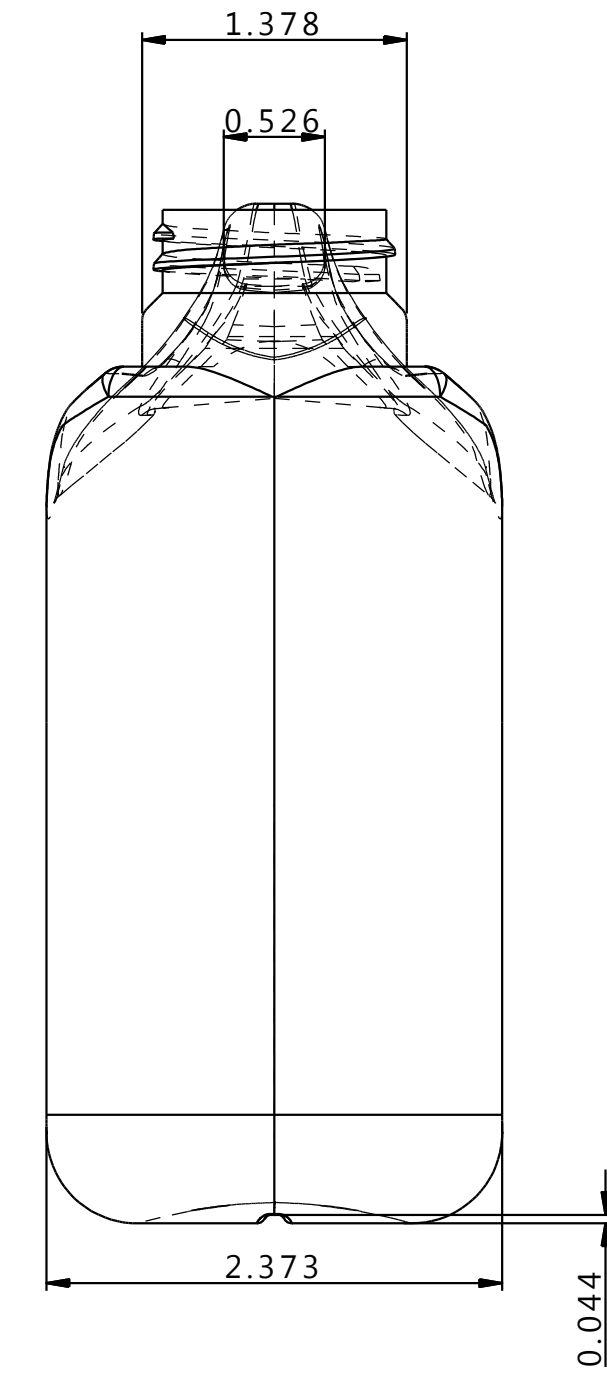
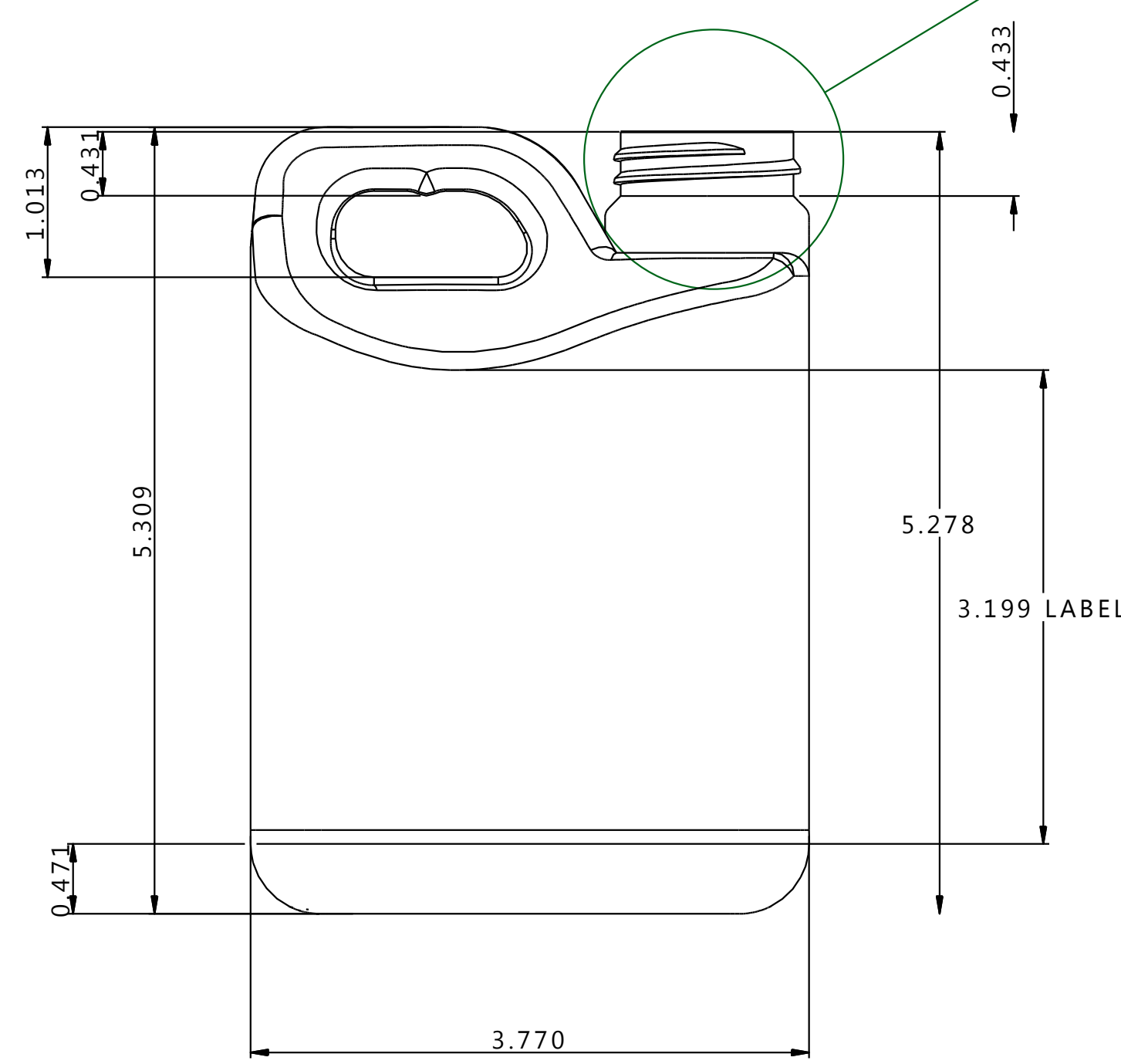


ESCALA 2:1



MULTI CONTAINERS USA, INC.
MANUFACTURERS AND DISTRIBUTOR OF PLASTIC PACKAGING

PROPRIETARY AND CONFIDENTIAL THE INFORMATION CONTAINED IN THIS DRAWING IS THE SOLE PROPERTY OF MULTICONTAINERS USA, INC. ANY REPRODUCTION IN PART OR AS A WHOLE WITHOUT THE WRITTEN PERMISSION OF MULTICONTAINERS USA, INC. IS PROHIBITED.	DRAWING BY: ASCENCIO	FILL CAPACITY: 16 ONZ.	CLIENT:
	DATE: 05/21/2012	FINISH: 33-400 Spec.	PROJECT: Drawing 16 ONZ.
	REFERENCE MATERIALS:	MATERIAL: HDPE	WEIGHT: 38 ± 3 g
		OVERFLOW: .	AVG. WALL THICKNESS:
		SHEET 1 OF 1	Drawing Number: MI-A-0521
		SCALE 1:1	REV A