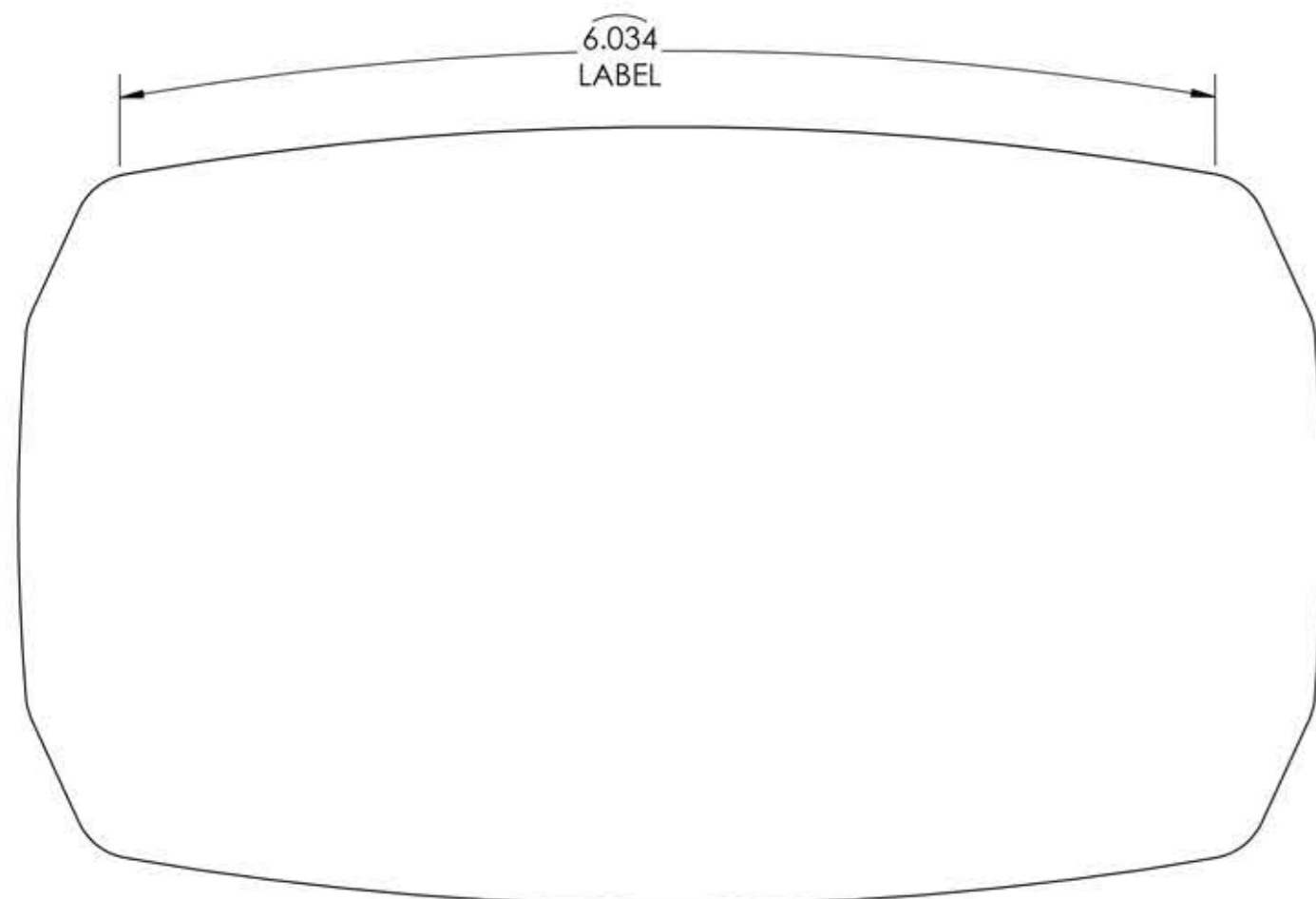
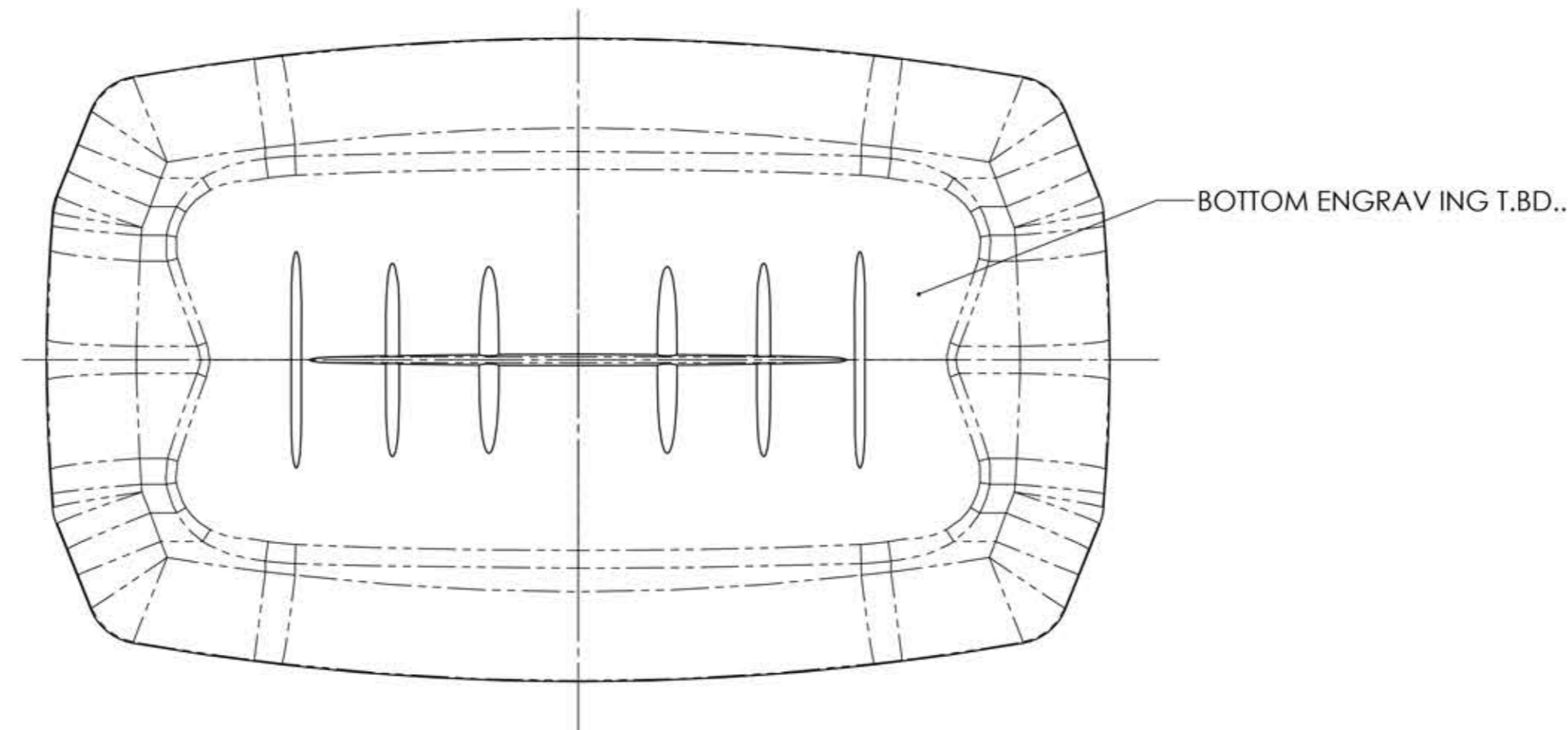


38mm SP 400 NECK FINISH
 THREAD NOTES:
 1. 6 THREADS PER INCH
 2. 1.25 TURNS OF THREAD
 3. "M" STYLE THREAD PROFILE
 4. THREAD START 90° TO P/L IN PIN HALF



SECTION A-A



BOTTOM ENGRAVING T.B.D..

Notes:
 1) Tolerances Unless Specified:
 Vertical -- ±.080
 Horizontal -- ±.090
 Volumetric -- ±1.5 oz
 2) Bottles to be Checked Aged with 20°C water
 3) Estimated Bulge -- 2.25 oz

PROPRIETARY AND CONFIDENTIAL THE INFORMATION CONTAINED IN THIS DRAWING IS THE SOLE PROPERTY OF MID-AMERICA MACHINING, INC. ANY REPRODUCTION IN PART OR AS A WHOLE WITHOUT THE WRITTEN PERMISSION OF MID-AMERICA MACHINING, INC. IS PROHIBITED.	Drawn By: KDG	Date: 15MAY12	Container Data:	
	Checked: SPK	Date: 15MAY12	Weight	135 grams
	Customer: Multi-Containers	Job#: ~	Fill Level Capacity	128.0 oz
	Reference Materials:		Overflow Capacity	135.0 oz
MA-P-1501-REV-C		Material	HDPE	
		Avg. Wall Thickness	.037"	



Description: Proposal Drawing
 128 oz F Style
 Drawing Number: MA-P-1806
 REV 1 OF 1