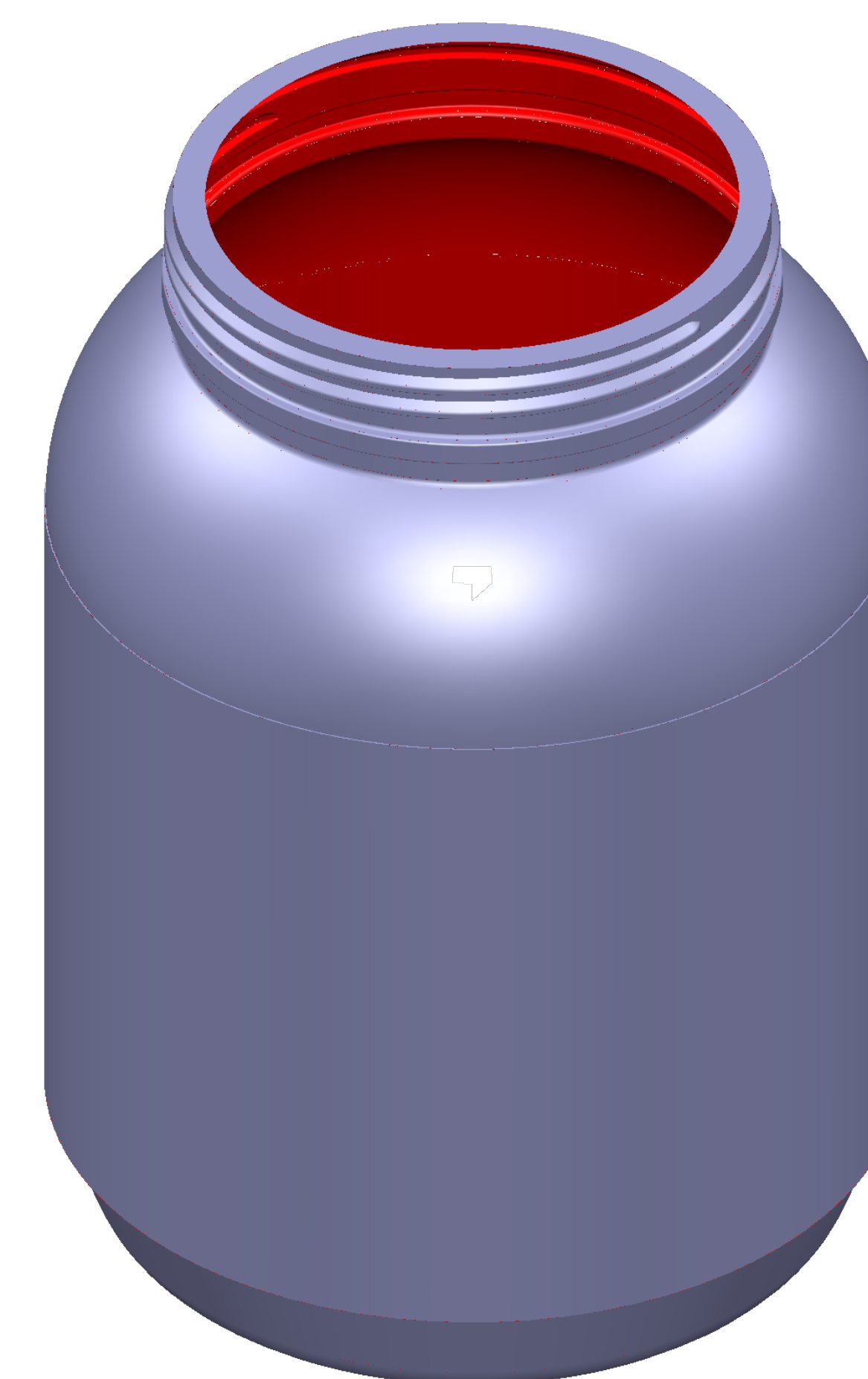
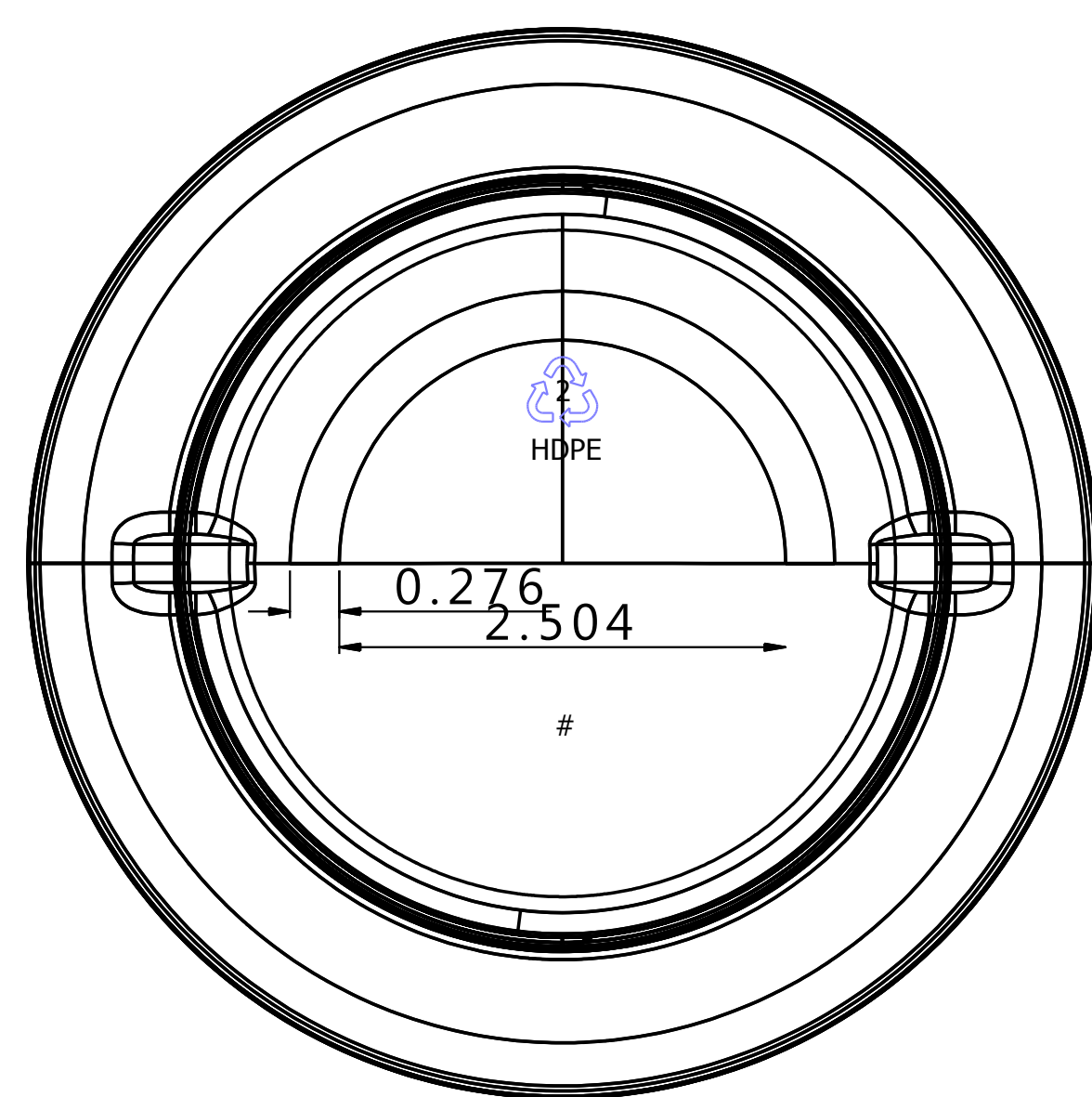


NECK DETAIL
DETAIL A
ESCALA 2:1

REVISIONS			
REV.	DESCRIPTION	DATE	APPROVED
A	ADD NECK DIMENTIONS	04/14/2012	AMP
B	MODIFY TO 3 DECIMALS	05/03/2012	AMP



MULTI CONTAINERS USA, INC.
MANUFACTURERS AND DISTRIBUTOR OF PLASTIC PACKAGING

PROPRIETARY AND CONFIDENTIAL <small>THE INFORMATION CONTAINED IN THIS DRAWING IS THE SOLE PROPERTY OF MULTICONTAINERS USA, INC. ANY REPRODUCTION IN PART OR AS A WHOLE WITHOUT THE WRITTEN PERMISSION OF MULTICONTAINERS USA, INC. IS PROHIBITED.</small>	DRAWING BY: ASCENCIO	FILL CAPACITY: 3000 CC	CLIENT:
	DATE: 04/11/2012	FINISH: 110-400 Spec.	PROJECT: Proposal Drawing
	REFERENCE MATERIALS:	MATERIAL: HDPE	3000 cc
	WEIGHT: 140 ± 5 g	OVERFLOW: EST @ 33354.38 CC	Drawing Number: MI-A-0412
	AVG. WALL THICKNESS:		REV B