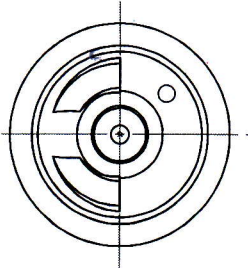
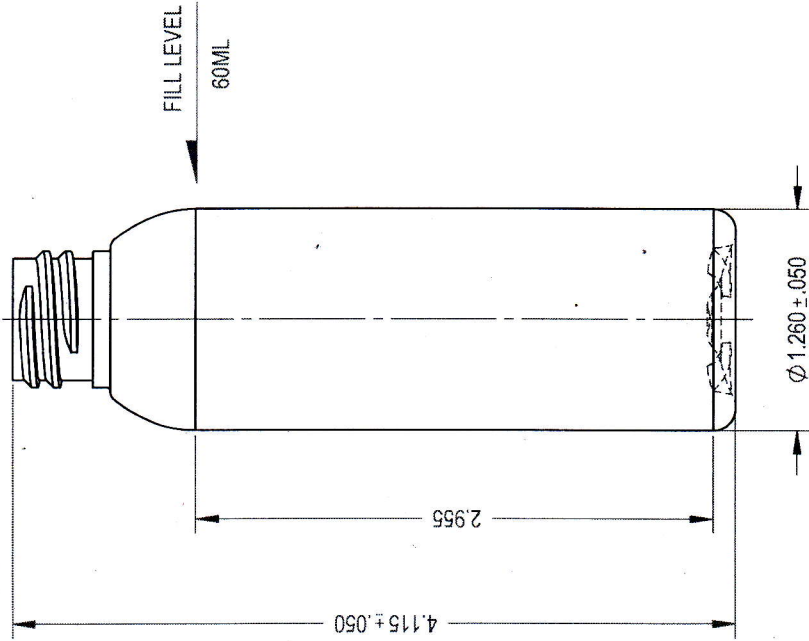


NECK FINISH	"T"	"E"	"H"	"L"	"S"	"I"	HELIX ANG.	CUTTER DIA.	T.P.I	PITCH	THREAD TURNS
M20 SP410(SPECIAL)	.775 ± .008	.691 ± .008	.554 ± .015	.456 MIN	.037 ± .015	.578	3°7'	.375	8	.125	2

NO. REV. BY DESCRIPTION DATE



GENERAL NOTES:

1. BODY SIZES SHOWN ARE REPRESENTATIVE OF MEAN DIMENSIONS ONLY; FINAL PRODUCT SIZES ARE TO BE DETERMINED FROM ACTUAL PLASTIC SAMPLES.
2. ALL DIMENSIONS ARE TO BE IN INCHES UNLESS OTHERWISE SPECIFIED.
3. ALL DIMENSIONS AND TOLERANCES CONFORM TO S.P.I. STANDARDS WHERE APPLICABLE.
4. ALL RADII & FILLETS ARE .015" MIN. UNLESS OTHERWISE SPECIFIED.
5. UNDIMENSIONED SURFACES AND SURFACE CONTOURS CAN BE DERIVED FROM 3D MODEL.

THIS DRAWING CONTAINS PROPRIETARY INFORMATION OF CONSUMERS PACKAGING GROUP INC. NEITHER THIS DRAWING OR ITS CONTENTS MAY BE REPRODUCED IN ANY FORM, FOR ANY PURPOSE, UNLESS WRITTEN CONSENT IS GIVEN BY CONSUMERS PACKAGING INC.

BOTTLE SPECIFICATIONS

MATERIAL: HDPE / FILL CAPACITY: 60ML (2 oz) ± 3ML  
 WEIGHT: 9g ± 1.5g OVERFLOW CAPACITY: 67ML ± 3.5ML

MULTI CONTAINERS IS, INC.

DWN. BY: 124 DATE: 09/25/07 DESCRIPTION: 60 ML/2 OZ BULLET  
 APR. BY: DATE: DRAWING NO: CPG-1039-A-V01-R01  
 SCALE: 1:1